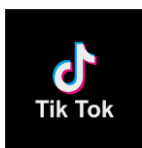


# ZAFPRO™ CENTER CONSOLE 17



Please visit our showroom at;

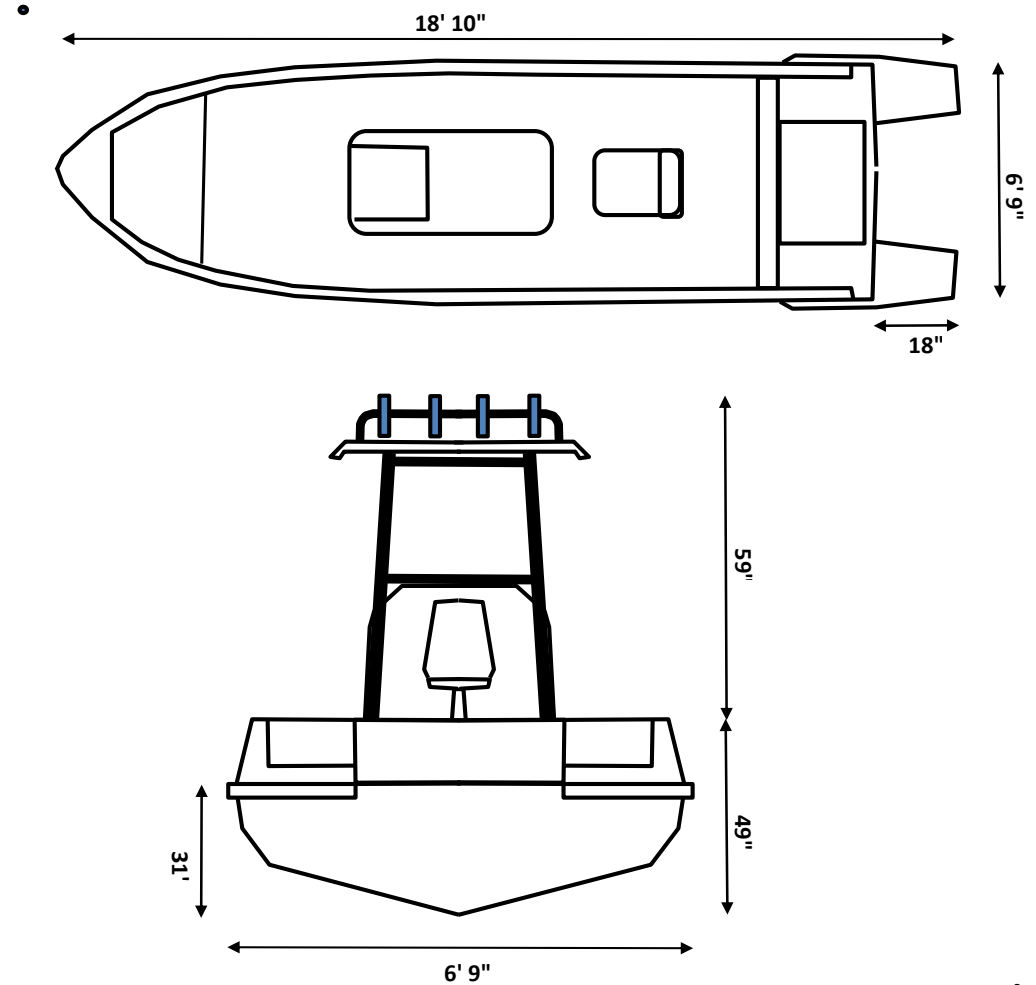
**ZAFPRO**  
No. 3, Royal Selangor Yacht Club, Jalan Shahbandar, Kawasan 14,  
42000 Pelabuhan Klang, Selangor Darul Ehsan

Contact our Sales Advisor:



## ZAFFPRO 17 Center Console

| Discription   | STANDARD                    | PREMIUM  |
|---|-----------------------------|----------|
| <b>Specification</b>  |                             |          |
| Length (meter)  | 18' 10"                     |          |
| Beam (meter)  | 6' 9"                       |          |
| Passenger Capacity  | 3+2 person                  |          |
| Related Output  | 60 hp (min) - 115 hp (max.) |          |
| <b>Acsesories &amp; Equipment</b>                             |                             |          |
| Marine Audio MP3 + speaker                                    | -                           | ✓        |
| Sport steering wheel  | ✓                           | ✓        |
| Beilge pump 1000 gph (Automatic)                              | ✓                           | ✓        |
| Ski tow bar   | -                           | ✓        |
| Swim plateform  | -                           | ✓        |
| Sport light bar   | -                           | ✓        |
| 1 pair front Cleat Dock (port & starboard)                    | ✓                           | ✓        |
| 1 pair rear cleat Dock (port & starboard)                     | ✓                           | ✓        |
| Hydraulic Steering  | ✓                           | ✓        |
| Navigation light  | -                           | ✓        |
| Under water LED   | -                           | ✓        |
| Navigation system with depth sonar + Navionic card            | Promo                       | Promo    |
| Rod holder (4 unit)   | ✓                           | ✓        |
| Bilge pump  | ✓                           | ✓        |
| Captain seat with suspention absorber                         | ✓                           | ✓        |
| Fuel Tank built in (90 ltr portable) with fuel sander & meter | ✓                           | ✓        |
| Hardtop, frame & ricket launcher                              | -                           | ✓        |
| Battery 12 volt x1  | ✓                           | ✓        |
| 5 geng waterproof switch panel                                | ✓                           | ✓        |
| <b>Price</b>  |                             |          |
| Price without tax   | RM48,900                    | RM58,900 |



**NOTE :**

- \* Price & Promo valid until Mar 2024
- \* Selling price does not include Engine (supply & installation), Trailer, shipping charges and taxes
- \* Term & Conditions apply